

FEATURES

- Double wire top basket rim - with molding for enhanced durability.
- Stronger rear caster horn.
- Fixed lower tray reduces noise and wear and tear.
- Includes caster lift - saves the life of the rear wheels.
- Includes convenience tray with cup holder.
- Full vertical bumpers to protect the cart.
- Powder over E-Coat.
- Assorted handle and leg hole closure colors.
- Can add logo to handle.
- Leg hole closure with approved ASTM safety message.

MODEL CNP902



TOTAL CAPACITY

16,000 in³

BASKET CAPACITY

11,000 in³

NESTING

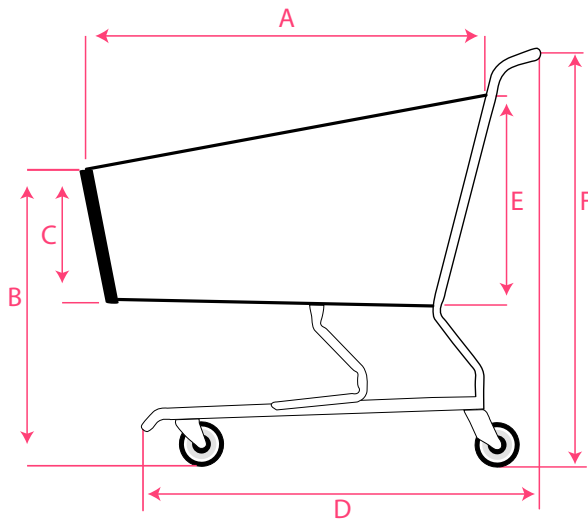
12 1/2 in

WEIGHT

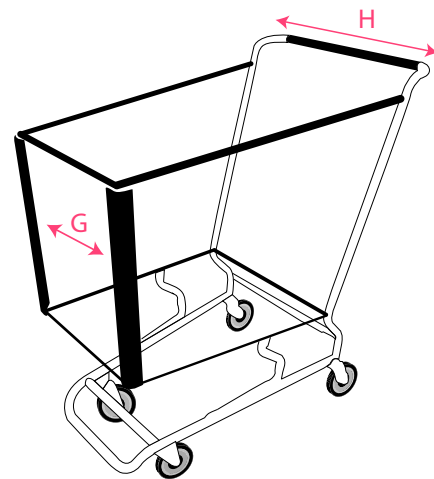
57lbs

TRAILER CAPACITY 102 in x 53 ft

450 Carts



A	33"	Basket Length
B	19"	Front Height
C	13.9"	Front Basket
D	40.5"	Overall Length
E	19.2"	Rear Basket
F	40.3"	Rear Height



G	19.9"	Front Width
H	25"	Rear Width